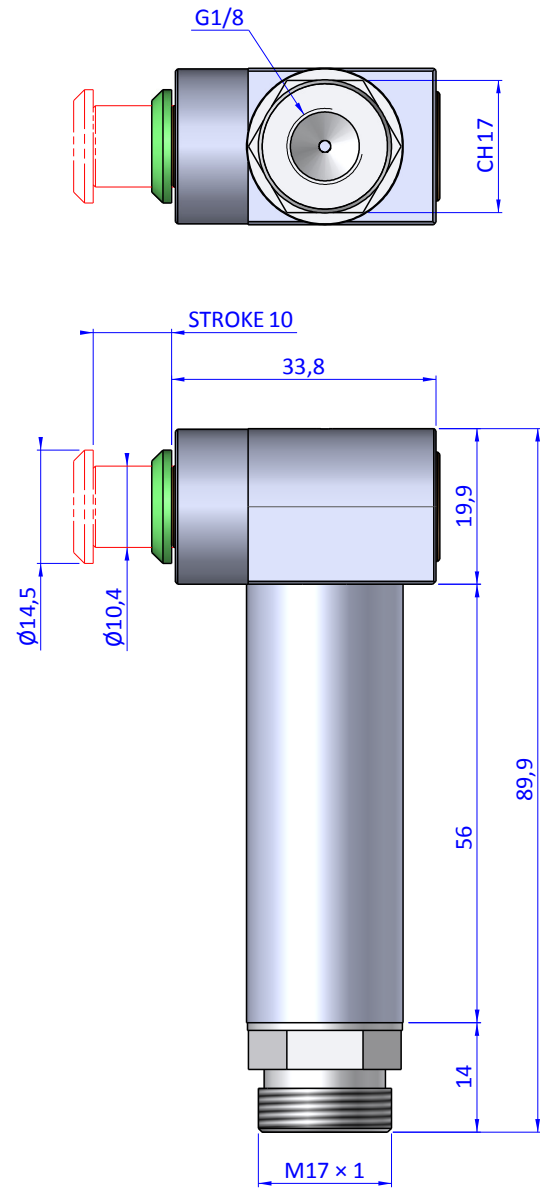
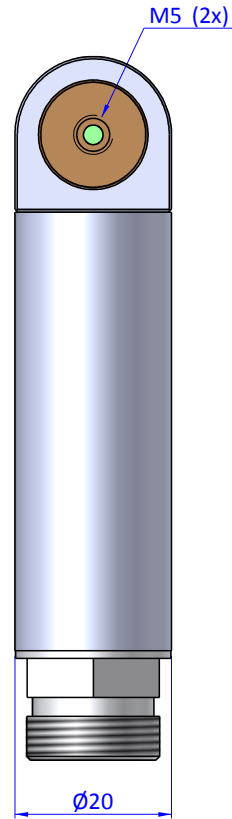
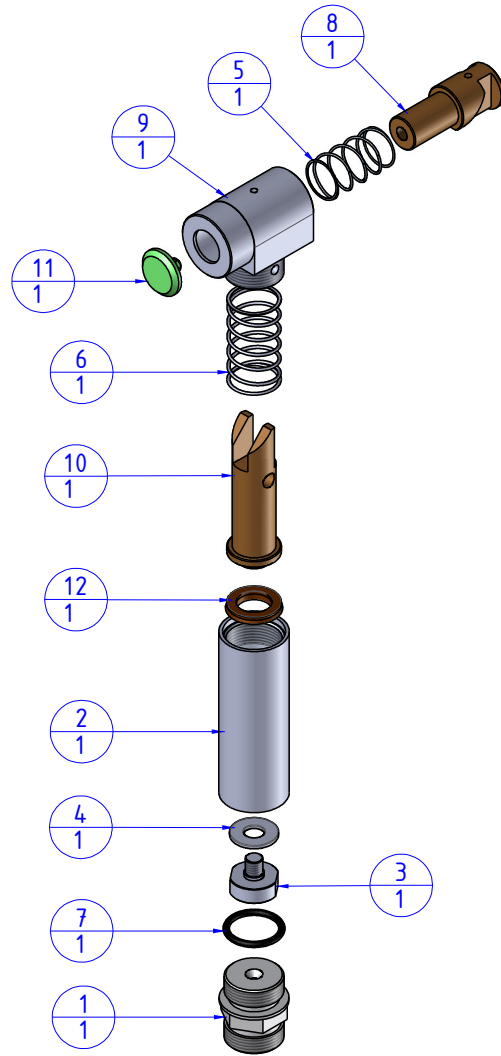



THE PROPERTY OF THE DRAWING IS ESTABLISHED BY LAW. IT IS FORBIDDEN TO PRODUCE OR SHOW IT TO THIRD PARTY, WITHOUT A WRITTEN AGREEMENT.

Item	Name	Q.ty
1	GRF20.95.01	1
2	GRF20.95.02	1
3	GRF20.95.03.2	1
4	GRF20.95.10	1
5	M.12x25	1
6	M.GRF.2095.1	1
7	OR.2056	1
8	PMA.2010.1	1
9	PMA.2010.2	1
10	PMA.2010.3	1
11	PPS.2010.07.V	1
12	PSP.1610255	1



Format A3
UNI 936-76

 FPS FPSERVICES AUTOMATION		DESIGNED FROM FPS Automation	REVIEW A
GENERAL TOLERANCE UNI - ISO 2768 CLASSE f	DESCRIPTION CA.PMA.2010	DATE 10/05/2019	WEIGHT 0,115kg
		CODE CA.PMA.2010	